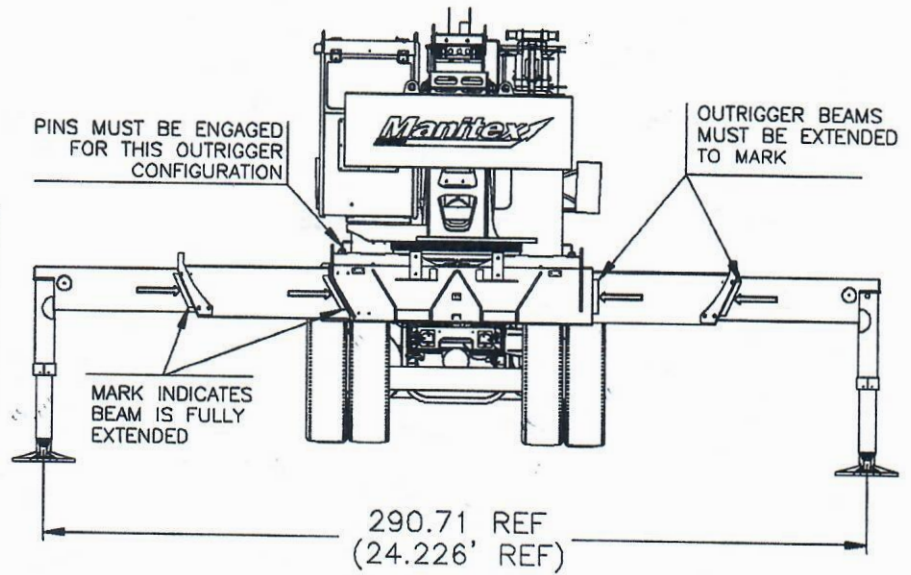


**USE THIS CHART ONLY
WHEN ALL
OUTRIGGERS ARE
FULLY EXTENDED**

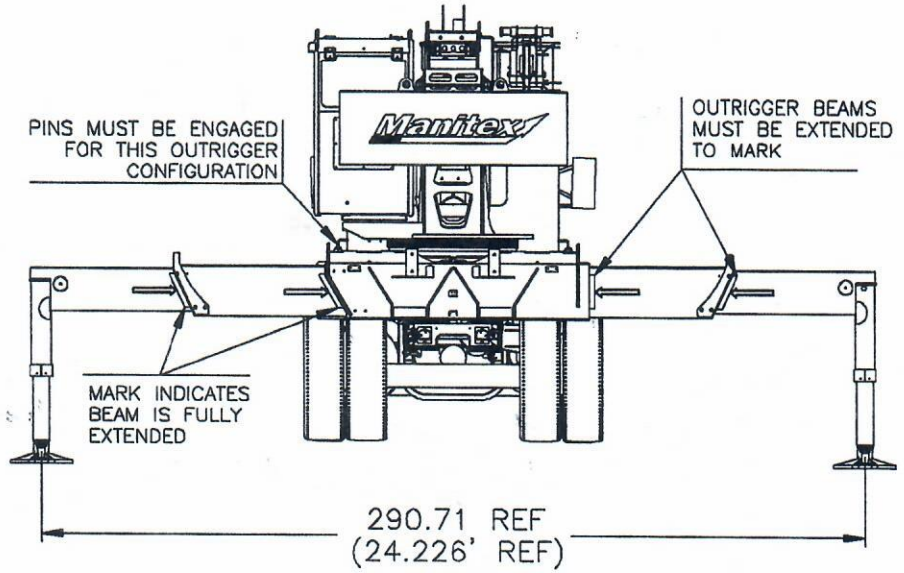


- FULLY EXTENDED OUTRIGGER CONFIGURATION -

MAIN BOOM LMI CODE 3																			
LOAD RADIUS (FT)	34 FT		47 FT (A)		61 FT (B)		74 FT (C)		88 FT (D)		101 FT (E)		115 FT (F)		128 FT (G)		142 FT (H)		LOAD RADIUS (FT)
	∠	LOAD CAPACITY (LBS)	∠	LOAD CAPACITY (LBS)	∠	LOAD CAPACITY (LBS)	∠	LOAD CAPACITY (LBS)	∠	LOAD CAPACITY (LBS)	∠	LOAD CAPACITY (LBS)	∠	LOAD CAPACITY (LBS)	∠	LOAD CAPACITY (LBS)	∠	LOAD CAPACITY (LBS)	
7	73	90000																	7
8	71	80000	77	42000															8
10	67	70500	74	42000	79	42000													10
12	64	62100	72	42000	77	42000	80	34060											12
15	58	49450	68	42000	74	40960	78	32860	80	23430									15
20	47	35640	61	36240	69	36570	74	30970	77	21610	79	16510							20
25	33	27160	54	27810	64	28140	70	28310	74	19730	76	15160	79	13500					25
30	9	19390	46	22100	58	22450	65	22630	70	18300	74	13960	77	12420	79	10000	80	8000	30
35			36	17980	52	18350	61	18530	67	17060	71	12860	74	11420	76	9800	78	7800	35
40			23	14840	46	15250	56	15440	63	15570	68	11860	71	10540	74	9400	76	7600	40
45					39	12820	51	13020	59	13150	64	10990	69	9550	72	8800	74	7350	45
50					30	10850	46	11070	55	11210	61	10200	66	8870	69	8300	72	7050	50
55					18	8870	40	9170	51	9340	58	9430	63	8260	67	7900	70	6800	55
60							33	7610	47	7790	54	7890	60	7680	64	7450	68	6500	60
65							24	6330	42	6520	50	6630	57	6710	62	6770	66	6100	65
70									36	5480	46	5590	54	5670	59	5720	64	5700	70
75									30	4590	42	4700	51	4790	56	4840	61	4880	75
80									21	3820	37	3950	47	4030	54	4090	59	4130	80
85											32	3300	43	3380	51	3440	56	3480	85
90											25	2720	39	2810	47	2870	54	2910	90
95											17	2200	35	2310	44	2370	51	2410	95
100													30	1870	40	1930	48	1970	100
105													23	1460	36	1530	45	1580	105
110													12	1090	32	1170	42	1220	110
115															26	840	38	900	115
120																			120
	840 LBS	560 LBS	450 LBS	380 LBS	330 LBS	290 LBS	260 LBS	230 LBS	210 LBS										

DEDUCTIONS FROM MAIN BOOM CAPACITIES FOR STOWED TELESCOPIC JIB

**USE THIS CHART ONLY
WHEN ALL
OUTRIGGERS ARE
FULLY EXTENDED**



- FULLY EXTENDED OUTRIGGER CONFIGURATION -

JIB LOAD CAPACITIES

LOAD RADIUS (FT) REF	30.5 FT TELE JIB LMI CODE 7		55 FT TELE JIB LMI CODE 13		LOAD RADIUS (FT) REF
	LOADED BOOM ANGLE (DEG)	LOAD CAPACITY (LBS)	LOADED BOOM ANGLE (DEG)	LOAD CAPACITY (LBS)	
30					30
35	79.0	3450			35
40	77.2	3400	79.4	2500	40
45	76.1	3350	78.0	2250	45
50	74.7	3300	76.7	2250	50
55	73.2	3180	75.6	2250	55
60	71.5	2920	74.5	2250	60
65	69.4	2760	73.1	2100	65
70	68.0	2610	72.1	1970	70
75	66.3	2470	70.5	1860	75
80	64.5	2340	68.7	1760	80
85	62.9	2220	67.1	1670	85
90	61.1	2110	66.1	1590	90
95	59.4	2010	64.6	1530	95
100	57.4	1920	62.9	1460	100
105	54.5	1550	61.4	1400	105
110	52.7	1190	60.2	1340	110
115					115
120					120
125					125
130					130